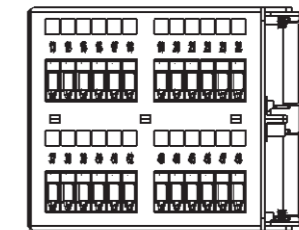
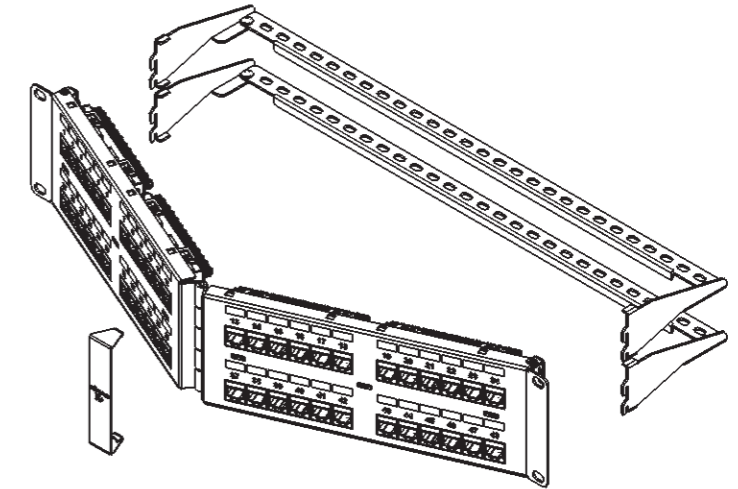
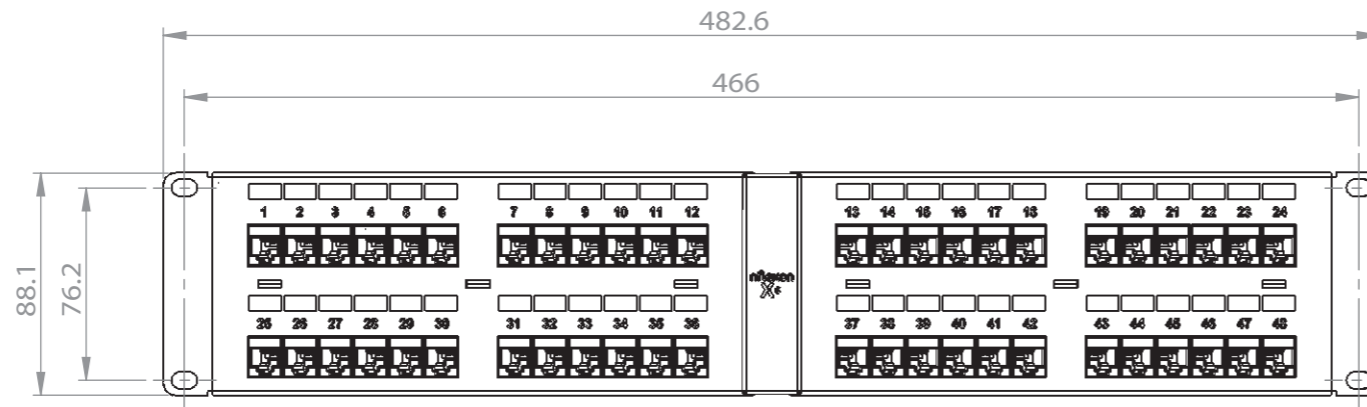
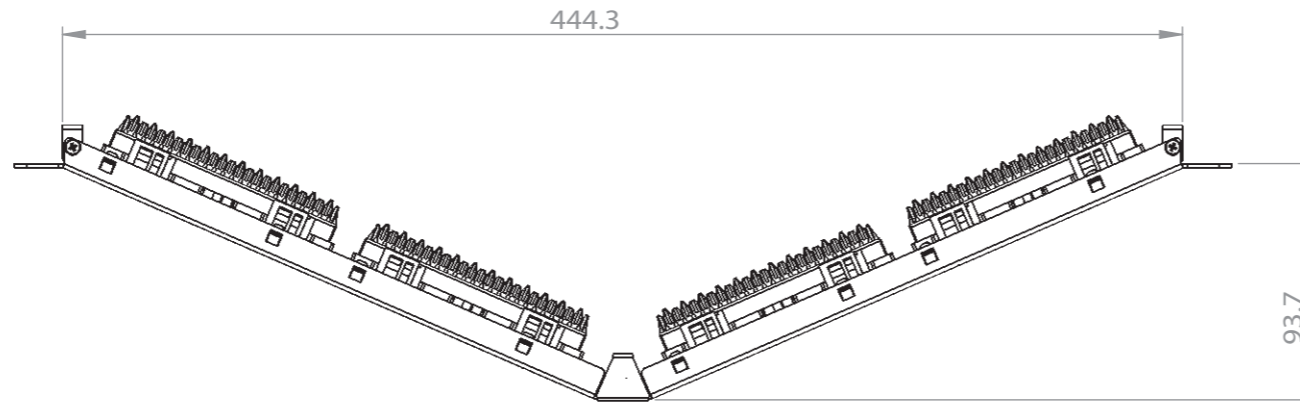
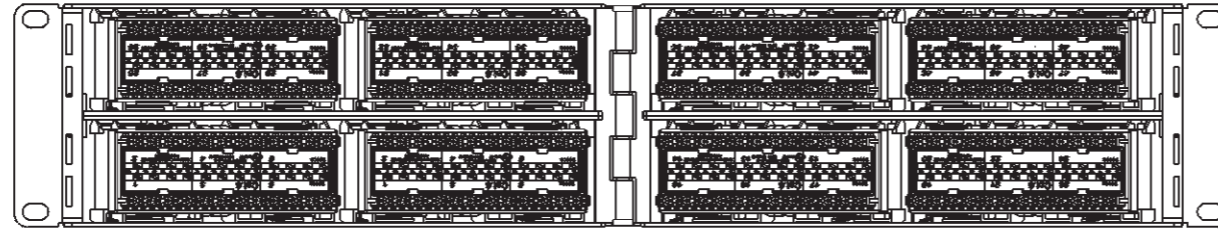


ACCORDING TO : ANSI/TIA-568.2-D  
ISO/IEC 11801  
IEC 60603-7

INFORMATIONAL  
PURPOSE ONLY



**MATERIAL**

PANEL : SECC.  
PLASTIC FRAME : ABS, UL94V-0.  
JACK CONTACTS : PHOSPHOR BRONZE, 50U" GOLD PLATED.  
IDC PLASTIC : PC, UL94V-0.  
IDC CONTACT : PHOSPHOR BRONZE, TIN OVER NICKEL UNDERCOAT.  
WIRE MANAGEMENT : SPCC.

**PHYSICAL CHARACTERISTICS**

INSERTION LIFE : 750 MATING CYCLES WITH FCC COMPLIANT 8P PLUG.  
PLUG RETENTION FORCE : 11 LBF MINIMUM.  
DURABILITY : 200 TERMINATION CYCLES.  
CONTACT COMPATIBILITY : ACCOMMODATES 22 TO 24 AWG SOLID.  
OPERATING TEMPERATURE RANGE : -10 °C TO 60 °C.  
STORAGE TEMPERATURE RANGE : -40 °C TO 68 °C.  
HUMIDITY : 10% TO 90% RH.

**ELECTRICAL**

INSULATION RESISTANCE : 500 MΩ MINIMUM.  
DC CURRENT RATING : 1.5 Amps.  
INPUT TO OUTPUT D.C. RESISTANCE : 100 mΩ MAXIMUM.  
CONTACT RESISTANCE : 20 mΩ MAXIMUM.  
VOLTAGE PROOF (CONTACT TO CONTACT) : 1000 V AC.

**NOTE**

\* ONLY ACCEPT RJ-45 8P8C PLUG.



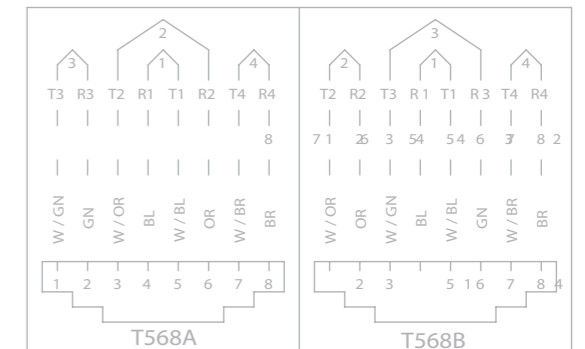
Cat 6

56Y4  
E145249

**ENCLOSURE**  
NYLON CABLE TIE X 16 PCS  
WIRE MANAGEMENT X 2 PCS  
INSTRUCTION X 1 PC



COMMUNICATION  
CIRCUIT ACCESSORIES



Scale	1:3
3rd Angle Projection	
Unit	mm
Date	2018/11/16
Tolerance	
~20	~50
~150	150~
±0.2	±0.4
±0.5	±1.5
±1.5	±2°

All Copy Rights Reserved	
<b>nFlexon LLC</b>	
Title	
<b>48 Port Category 6 Angled Patch Panel</b>	
PP06ANBK48P0	